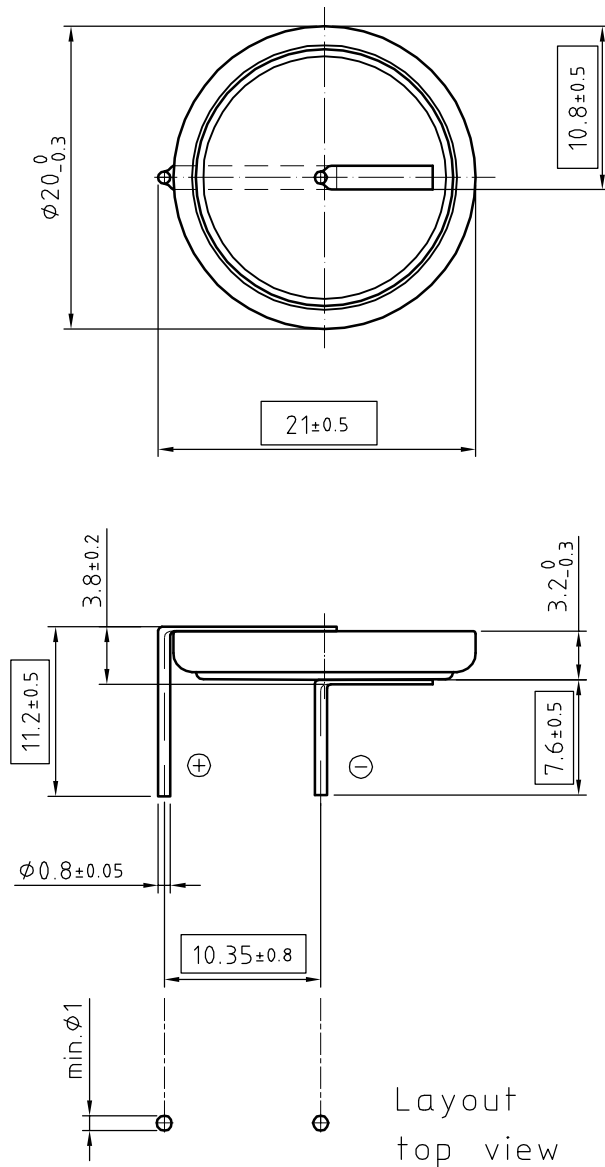


Art.-Number: 701722



- Samples can deviate in the execution from the serie.

Tab material: CuNi44
All dimensions in mm.

- Dimensions and tolerances can be specified only after the testing of the devices for the mass production definitely

All framed values will be used for dimension checking !

The Products of Renata SA are neither designed nor authorized for use in certain areas of application of environment.
For further details we refer to our webpage www.renata.com/downloads/restriction_of_use

Rev.	①	01.11.14	PWU	Rev.	○				Customer's Approval		
Rev.	②	26.08.19	PWU	Rev.	○				Date		
Rev.	○			Rev.	○				Signature		
Title:								Scale	Drawn	24.11.06	SRI
CR2032 MFR AH0								2:1	Checked		
								Approved			

renata 
batteries

CH-4452 Itingen
Switzerland

3.9166.4-2